

N100917-00

General Aviation Oxygen Mask Microphone

- ▶ Designed for use in KC 135
- ▶ Mounts to any standard 12P or 20P series oxygen mask
- ▶ Meets performance requirement of TSO-C58a category A
- ▶ EMI/RFI resistance to 200 V/m

Specifications

FREQUENCY RESPONSE:
350 Hz to 8 KHz

SENSITIVITY @ 1 KHz:
(-28 dBV/Pa +/- 3 dB)

FAR FIELD CROSSOVER:
2500 Hz

DISTORTION:
< 2% @ 114 dB SPL
< 5% @ 120 dB SPL

SIGNAL TO NOISE:
< 40 dB

OUTPUT IMPEDANCE:
150 Ohms

RATED SUPPLY VOLTAGE:
8-16VDC

RATED CURRENT DRAIN:
10-15 mA

TERMINATION:
U-173/U connector

WEIGHT: < 2.2 oz

COLOR: Black

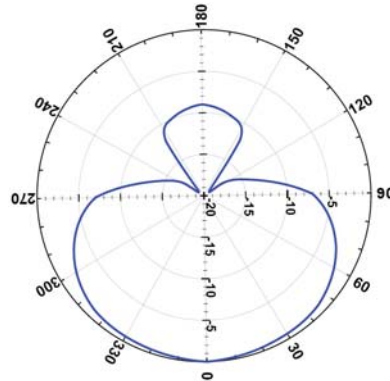
TEMPERATURE:
(operational) -20°C to +85°C

HUMIDITY:
0% to 85% relative humidity

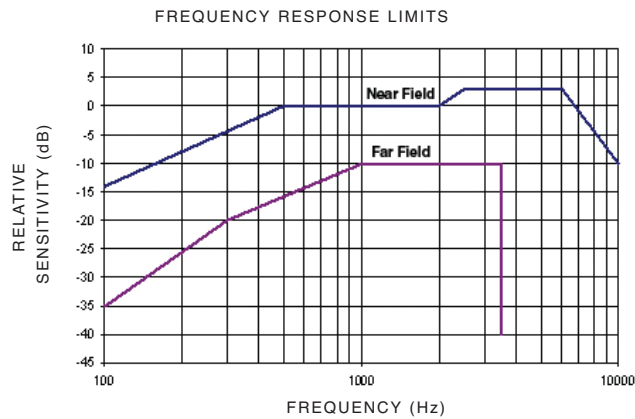
IMMERSION:
3 feet

DUST:
IAW: MIL-STD-810, method 510.3, procedure 1

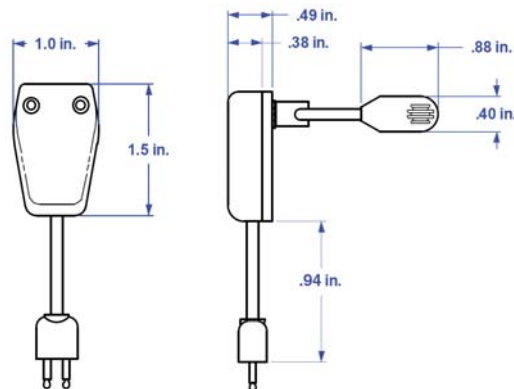
Angular Response @ 1 KHz



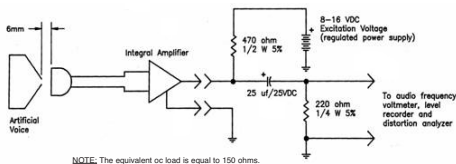
Frequency Response



Dimensions



Test Load Circuit



GENTEX®

GENTEX ELECTRO-ACOUSTIC PRODUCTS 2456 Brown Avenue · Manchester NH 03103 USA · TEL: 603.657.1200 · FAX: 603.657.1201

Gentex® Corporation is an ISO 9001:2000 certified company
© Gentex Corporation ® Gentex is a registered trademark of Gentex Corporation. Specifications subject to change without notice. Printed in U.S.A. 10/2007

This commodity is a U.S. defense article as defined by the U.S. International Traffic in Arms Regulations (ITAR) 22 C.F.R. Export of this product to a foreign entity or country requires prior written authorization from the U.S. State Department.

www.gentexcorp.com