

N100493-00 NSN#: 5965-01-519-0779

V-22 Oxygen Mask Microphone

- ▶ Designed for use in V-22 and CV-22 Osprey Tiltrotor Aircraft
- ▶ Mounts to any standard 12P or 20P series oxygen mask
- ▶ Meets MIL-DTL-32015/1
- ▶ EMI/RFI resistance to 200 V/m

Specifications

FREQUENCY RESPONSE:
350 Hz to 8 KHz

SENSITIVITY @ 1 KHz:
(-29 to -35 dB ref 1V/Pa)

FAR FIELD CROSSOVER:
2500 Hz

DISTORTION:
< 1% up to 114 dB SPL
< 5% @ 120 dB SPL

SIGNAL TO NOISE:
< 40 dB

OUTPUT IMPEDANCE:
5 Ω +/- 20%

RATED SUPPLY VOLTAGE:
9-11VDC

RATED CURRENT DRAIN:
8 mA max @ 10 VDC

TERMINATION:
U-173/U connector

WEIGHT: 2.2 oz max

COLOR: Gray

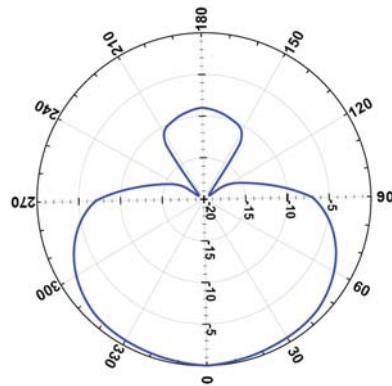
TEMPERATURE:
(operational) -20°C to +85°C

HUMIDITY:
85% relative humidity @ 71°C, 16 hrs.

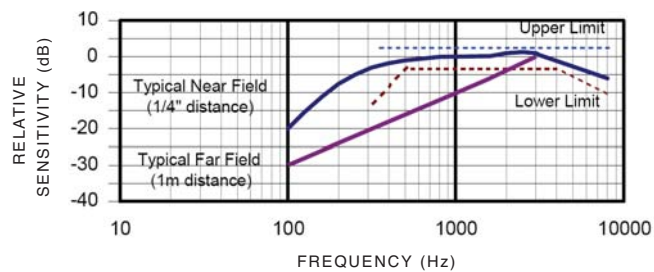
IMMERSION:
3 ft. 2 hours

DUST:
IAW: MIL-STD-810, method 510.3, procedure 1

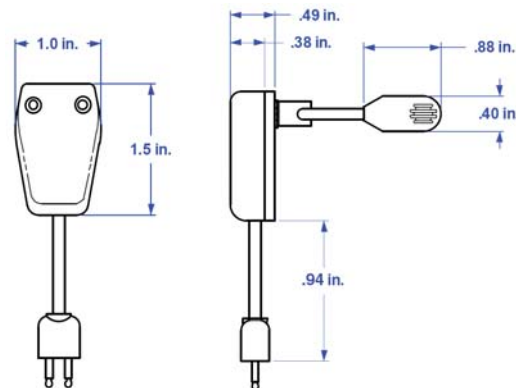
Angular Response @ 1 KHz



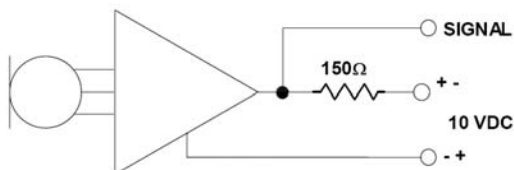
Frequency Response



Dimensions



Test Load Circuit



GENTEX®

GENTEX ELECTRO-ACOUSTIC PRODUCTS 2456 Brown Avenue · Manchester NH 03103 USA · TEL: 603.657.1200 · FAX: 603.657.1201

Gentex® Corporation is an ISO 9001: 2000 certified company

© Gentex Corporation ® Gentex is a registered trademark of Gentex Corporation. Specifications subject to change without notice. Printed in U.S.A. 10/2007

This commodity is a U.S. defense article as defined by the U.S. International Traffic in Arms Regulations (ITAR) 22 C.F.R. Export of this product to a foreign entity or country requires prior written authorization from the U.S. State Department.

www.gentexcorp.com